

SCIMITAR 22K



DESCRIPTION OF THE DEVICE

Scimitar 1500 is a fundamental waterblasting tool with an efficient speed control system, adjustable thanks to a magnetic brake. It is specially designed for surface preparations, it can be used with a manual trigger gun or in a automatized system.

Speed is controlled thanks to the easy rotation of the handle grip, between slow (-) and fast mode (+).

Compact and light, Stainless steel made, nozzle head and four sapphire jet nozzles easily replaceable.

INTENDED USE

Scimitar 1500 is designed to be used on systems in category I, at the most, according to classification of Directive 97/23/CE (PED). The operating limits are written in the technical specifications.

SCIMITAR 22K

Technical Specifications

CODE	MAX FLOW RATE		MAX PRESSURE		MAX WATER TEMP		ROTATING	INLET	LENGTH		WEIGHT	
	l/min	gpm	bar	kpsi	°C	°F			rpm	mm	inch	kg
Q231000003580	40	10,6	1500	22	45	140	900 - 1500	Female 1"1/8 UNF for 9/16" Slimline	200	7,9	1,6	3,4

** different inlet connections available on request

HEAD CODE codice testina	NOZZLE CODE CODICI UGELLI 1/4"NPT	FLOW RATE RANGE RANGE DI PORTATA		PRESSURE RANGE RANGE DI PRESSIONI		ROTATION ROTAZIONE
		l/min	gpm	bar	kpsi	rpm
Q232310140150	Q2323100AP26OL (4 pcs)	14,2 - 20,4	3,8 - 5,2	750 - 1500	10,9 - 22	900 - 1300
	Q2323100AP29OL (4 pcs)	18,1 - 25,6	4,8 - 6,8	750 - 1500	10,9 - 22	900 - 1400
	Q2323100AP32OL (4 pcs)	21,7 - 28,6	5,7 - 7,6	750 - 1500	10,9 - 22	900 - 1300

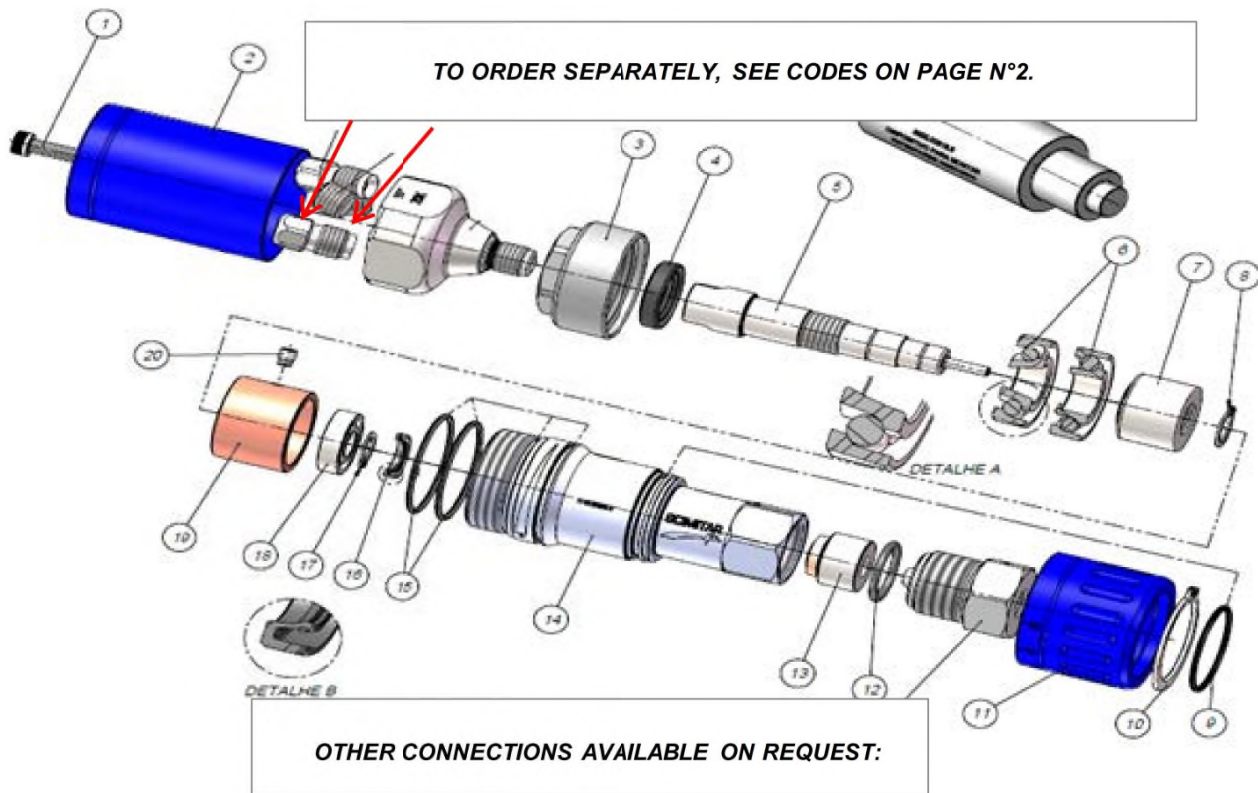
The specifications are indicative only, company reserves itself the right to make changes without any notice

HOW TO CHOOSE

Scimitar 1500 is suitable for use with soft and clean water, also with a slight amount of additives. The tool is chosen based on the operating data of the system, namely: Rated pressure, Maximum flow rate and Rated temperature. Make sure feasible pressure peaks do not exceed the Permissible pressure for which the tool is designed.

SCIMITAR 22K

Spare part list



IT.	CODE	DESCRIPTION	QTY
1	Q231200001500	HEAD SCREW	1
2	Q231110038640	Scimitar 22k HEAD COVER	1
3	Q231110037460	FRONTAL COVER	1
4	Q231300007010	RETAINER	1
5	Q231110032870	Scimitar SHAFT	1
6	Q231700002250	ANGULAR CONTACT BALL BEARING	2
7	Q231010020500	MAGNETIC BRAKE	1
8	Q231200003380	SEEGER RING E-14	1
9	Q231300001420	O'RING	1
10	Q231200010540	SEEGER RING E-40	1
11	Q231110038650	HANDLE GRIP	1
12	Q231300003720	O'RING	1
13 *	Q231020004320	Scimitar SEALING KIT	1
14	Q231110032850	BODY	2
15	Q231300001370	O'RING	2
16 *	Q231300008560	RETAINER	1
17	Q231200010030	SEEGER RING E-12 DIN 471	1
18	Q231700001480	BALL BEARINGS	1
19	Q231110037470	SPEED SET BUSHING	1

recommended spare parts in yellow

SCIMITAR 22K

PREVENTIVE MAINTENANCE

Scimitar 1500 needs 10 ml of 10 W 40 oil for bearings lubrication.

Every 30 hours of operation it must be replaced using a syringe graduated.

GENERAL MAINTENANCE

Loss in high pressure sealing:

If the water comes from the hexagonal body hole (Q231110032850), the loss occurs in the input connection. Remove the 1,1/8 nut (Q232320016060); Adjust the 9/16" collar (Q232320003680) and tighten the 1,1/8 nut again. If the water comes from the oblong body hole (Q231110032850) the high pressure gasket (included in Q231020004320) is damaged. Remove Scimitar from gun or robot; remove the o-ring (Q231300001420) that locks the seal kit (Q231020004320) and replace it. A small loss may still occur at re-opening during the increase of pressure but can be considered normal and will tend to disappear as soon as maximum pressure is reached.

Rapid gasket wear:

After disassembling the accessory, perform an accurate visual inspection of gaskets and o-rings. If the seals have just been replaced, replace the retainer (Q231300008560) and the sealing ring, especially if they have not been replaced during the last corrective / preventive maintenance.

Lastly, if the magnetic brake (Q231010020500) has lost its efficiency, it can turn the tool over the limits and thus increase the internal temperature, resulting in tightening of the seals and reducing their useful life.

Utility does not turn:

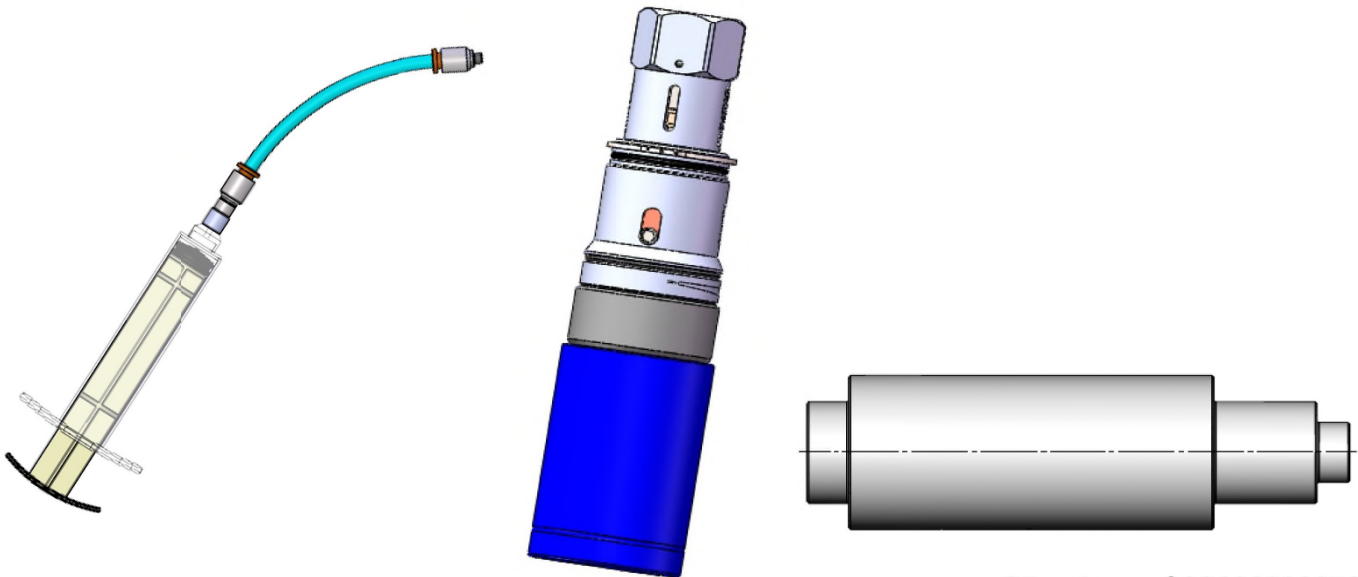
Ensure that the nozzles are not partially or fully closed, and make sure that the nozzle is in accordance with the table. If all is OK, disassemble the accessory and make a complete check of the parts, especially the bearings (Q231700002250).

SCIMITAR 22K



CAUTION

- **USE ONLY ORIGINAL HPP SPARE PARTS**
- **THE MANUFACTURER IS NOT LIABLE FOR DAMAGE CAUSED BY WRONG INSTALLATION AND/OR MAINTENANCE**
- **MAINTENANCE SHOULD ONLY BE PERFORMED BY QUALIFIED TECHNICIAN**



Oil syringe **Q231000002710**

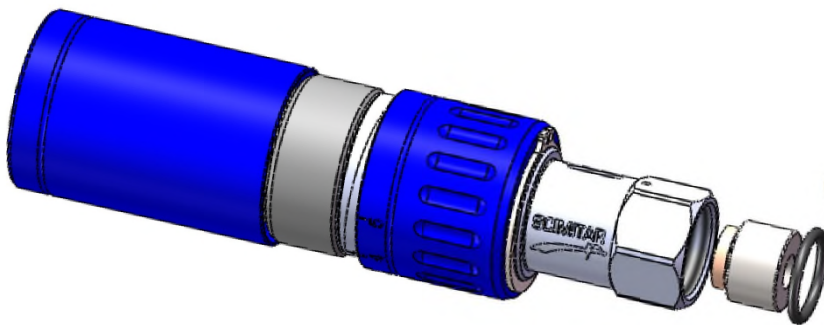
PREVENTIVE MAINTENANCE

Replacing of oil:

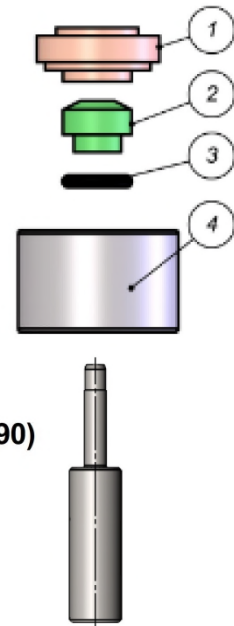
- Remove the cover (Q231110038640) by removing the head screw (Q231200001500)*
- Remove nozzle head (Q232310140150)*
- Remove the front nut (Q231110037460);*
- Put 10 ml of oil 10W 40 oil through the bearings (Q231700002250) thanks to the oil filler;*
- Fit the front nut, head and guard again.*

SCIMITAR 22K

REPLACING OF SEALING KIT



(Q233000029190)



GENERAL MAINTENANCE

- Remove the sealing ring (Q231300001420) from the inlet connection
- Remove the support (1) from the seat (4)
- Remove the seal (2) and the o-ring (3) from the seat using the tool (Q233000029190)
- Place the new o-ring (3) on the new seal (2)
- Insert the assembly on the seat (4) without tools
- Finally, insert seal support (1)
- Insert the sealing kit (Q231020004320) through the input connection and install the o-ring (Q231300001420) to hold the gasket in the kit position.

DECLARATION OF CONFORMITY

The device complies with the requirements of the directives listed in the declaration of conformity; in case of need the above must be requested to the manufacturer.

PRODUCT DISPOSAL AT THE END OF ITS SERVICE LIFE

Disposal in accordance to the current laws.

SCIMITAR 22K

Nozzle Diameter		Nozzle flow-rate gpm (liters / min)										
inches	mm	kpsi (bar)										
		2 (138)	4 (276)	6 (414)	8 (552)	10 (700)	12 (827)	14 (966)	16 (1103)	18 (1241)	20 (1400)	22 (1500)
0,018	0,46	0,39 1,47	0,55 2,08	0,68 2,57	0,78 2,95	0,87 3,29	0,96 3,63	1,00 3,78	1,10 4,16	1,20 4,52	1,20 4,54	1,30 4,92
0,020	0,51	0,48 1,81	0,68 2,57	0,83 3,14	0,96 3,63	1,10 4,16	1,20 4,52	1,30 4,92	1,40 5,29	1,45 5,48	1,50 5,67	1,60 6,00
0,022	0,56	0,58 2,19	0,82 3,10	1,00 3,78	1,20 4,20	1,30 4,92	1,40 5,29	1,50 5,67	1,60 6,05	1,70 6,43	1,80 6,81	1,90 7,19
0,024	0,61	0,69 2,61	0,98 3,70	1,20 4,54	1,40 5,29	1,60 6,00	1,70 6,43	1,80 6,80	2,00 7,50	2,10 7,94	2,20 8,32	2,30 8,70
00,026	0,66	0,81 3,06	1,20 4,54	1,40 5,29	1,60 6,00	1,80 6,81	2,00 7,57	2,10 7,94	2,30 8,70	2,40 9,08	2,60 9,84	2,70 10,21
0,029	0,74	1,00 3,78	1,40 5,29	1,70 6,43	2,00 7,57	2,30 8,70	2,50 9,46	2,70 10,21	2,90 10,97	3,00 11,35	3,20 12,11	3,40 12,86
0,032	0,81	1,20 4,54	1,70 6,43	2,10 7,94	2,50 9,46	2,80 10,59	3,00 11,35	3,30 12,49	3,50 13,24	3,70 14,00	3,90 14,76	4,10 15,51
0,035	0,89	1,50 5,67	2,10 7,94	2,60 9,84	3,00 11,35	3,30 12,49	3,60 13,62	3,90 14,76	4,20 15,89	4,40 16,65	4,70 17,78	4,90 18,54
0,038	0,97	1,70 6,43	2,50 9,46	3,00 11,35	3,50 13,24	3,90 14,76	4,30 16,27	4,60 17,41	4,90 18,54	5,20 19,68	5,50 20,81	5,70 21,57
0,042	1,07	2,10 7,94	3,00 11,35	3,70 14,00	4,20 15,89	4,70 17,78	5,20 19,68	5,60 21,19	6,00 22,71	6,40 24,22	6,70 25,35	7,00 26,49
0,047	1,19	2,70 10,21	3,80 14,38	4,60 17,41	5,30 20,06	5,90 22,30	6,50 24,60	7,00 26,49	7,50 28,38	8,00 30,28	8,40 31,79	8,80 33,30
0,052	1,32	3,30 12,49	4,60 17,41	5,60 21,19	6,50 24,60	7,30 27,63	8,00 30,28	8,60 32,55	9,20 34,82	9,80 37,09	10,0 37,78	11,0 41,63
0,057	1,45	3,90 14,76	5,50 20,81	6,80 25,75	7,80 29,52	8,70 32,92	9,60 36,33	10,0 37,85	11,0 41,63	12,0 45,42	12,5 47,31	13,0 49,20
0,063	1,60	4,80 18,16	6,80 25,73	8,30 31,41	9,60 36,33	11,0 41,63	12,0 45,42	13,0 49,20	14,0 52,99	14,5 54,88	15,0 56,77	16,0 60,56
0,069	1,78	5,70 21,57	8,10 30,65	9,90 37,47	12,0 45,42	13,0 49,20	14,0 52,99	15,0 56,77	16,0 60,56	17,0 64,34	18,0 68,13	19,0 71,91
0,075	1,91	6,80 25,73	9,60 36,33	12,0 45,42	13,0 49,20	15,0 56,77	17,0 64,34	18,0 68,13	19,0 71,91	20,0 75,70	21,0 79,48	23,0 87,05
0,082	2,08	7,20 27,25	10,0 37,85	13,0 49,20	14,0 52,99	16,0 60,56	18,0 68,13	19,0 71,91	20,0 75,70	22,0 83,27	23,0 87,05	24,0 90,84
0,090	2,23	8,70 32,92	12,0 45,42	15,0 60,56	17,0 64,34	19,0 71,91	21,0 79,48	23,0 87,05	25,0 94,62	26,0 98,41	27,0 102	29,0 109
0,098	2,49	10,0 37,85	15,0 56,77	18,0 68,13	21,0 79,48	23,0 87,05	25,0 94,62	27,0 103	29,0 109	31,0 117	33,0 125	34,0 128
0,106	2,69	12,0 45,42	17,0 64,34	21,0 79,48	24,0 9,84	27,0 102	29,0 109	32,0 121	34,0 128	36,0 136	38,0 143	40,0 151
0,115	2,92	14,0 53,00	20,0 75,70	25,0 94,62	28,0 106	32,0 121	35,0 132	37,0 140	40,0 151	42,0 158	45,0 170	47,0 177
0,125	3,18	20,0 75,70	24,0 90,84	29,0 109	33,0 125	37,0 140	41,0 155	44,0 166	47,0 178	50,0 190	53,0 200	55,0 208
0,135	3,43	22,0 83,27	28,0 106	34,0 128	39,0 147	44,0 166	48,0 181	52,0 196	55,0 208	58,0 219	62,0 234	65,0 246
0,145	3,69	23,0 87,05	32,0 121	39,0 147	45,0 170	50,0 189	55,0 208	60,0 227	64,0 242	68,0 257	71,0 268	75,0 283
0,155	3,94	26,0 98,41	36,0 136	45,0 170	51,0 193	57,0 215	63,0 238	68,0 257	73,0 276	77,0 291	81,0 306	85,0 321
0,165	4,19	29,0 110	41,0 155	50,0 189	58,0 219	65,0 246	71,0 268	77,0 291	82,0 310	87,0 329	92,0 348	97,0 367